

Delivery data (Compulsory to fill in)

Company name, contact person and telephone

Delivery address

Client code

Delegation code

Delivery date

General characteristics

Travel (R) mm

Speed (m/s)

- 0,2
- 0,3
- 0,4
- 0,5

Power supply (±5%)

- 230V 3~ 50 hz
- 400V 3~ 50 hz
- 230V 1~ 50 hz
- Other

Piping

- Rigid
- Flexible

N° stops

- Model
- UHP (225Kg, Sup. < 0.7m²)
 - UHM (400Kg, 0.7<Sup< 0.7m²)

Length m

Lift-car characteristics

Layout N°

- 1
- 2
- 3
- 4
- 5
- 6

Lift-car finishing

- Skinplate
- Stainless steel

Colour

- U-35 (Green)
- U-60 (Grey)
- U-62 (Cream)
- Other

Floor finishing

- Black rubber
- Grey rubber
- Prepared for floor tile
 - Supply the floor tile
 - No supp. the floor tile

Lift-car options

- Ceiling indirect light
- Back handrail, Ø40
- Lateral handrail, Ø40
- Prepared for back half-mirror
- Prepared for lateral half-mirror

Floor numbering

Door characteristics

Lift-car door type

- Folding "Bus" type
- Telescopic 3 leaves, st. steel
- Other type

Landing door type

- Hinged swinged doors
- Telescopic 3 leaves
- Other type

Boarding n°

1

2

Clear opening (mm) PL

Hand (Right, Left)

Stops with this Boarding

Land door finish

- Baked enamel
- Stainless steel

Options

Mechanical options

- Guides length 2,5 m. long
- Self-supporting structure without closing
- Self-supporting structure closed with glass
- Self-supporting structure closed with plate
- Machine room less (MRL)

Hydraulic options

- Tank oil heater
- Cilinder in two sections

Electrical control options

- Plugable pre-fitted electric installation
- No EN 81-28 bidirectional intercommunicator
- EN 81-28 bidirectional intercommunicator
- Lift-car machine room intercommunicator
- Temperature relay in machine room
- Landing position display, amount
- Hoistway lighting

Packing options

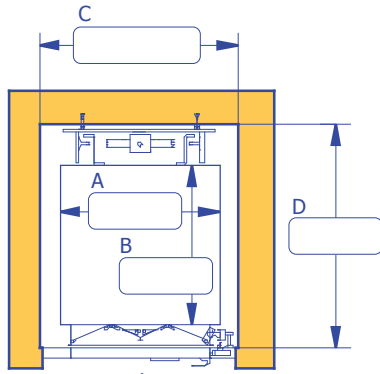
- Accesories, sling and pump unit in wooden box

Remarks

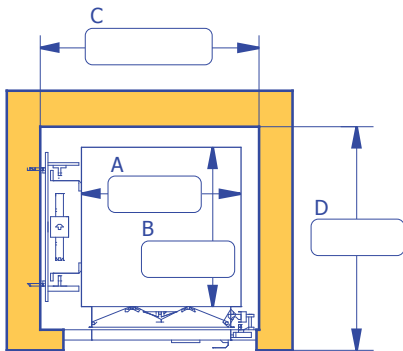
OFFER

ORDER

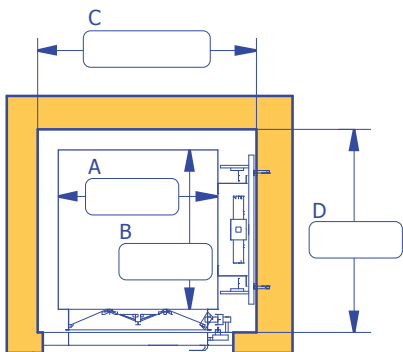
Dimensions



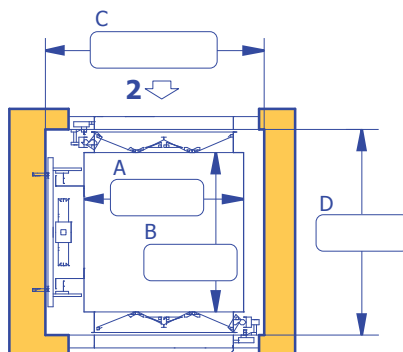
LAYOUT 1



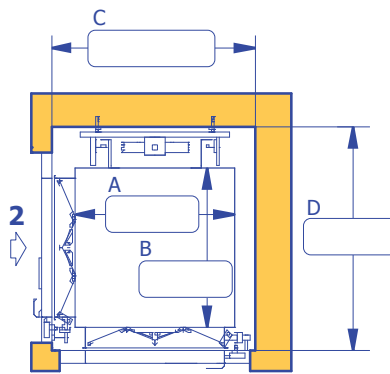
LAYOUT 2



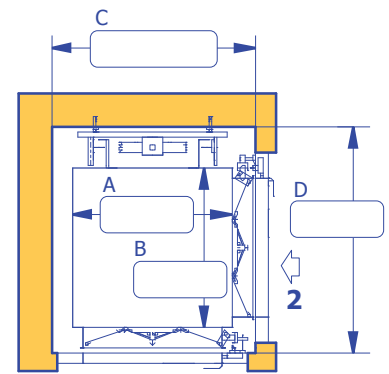
LAYOUT 3



LAYOUT 4



LAYOUT 5



LAYOUT 6

